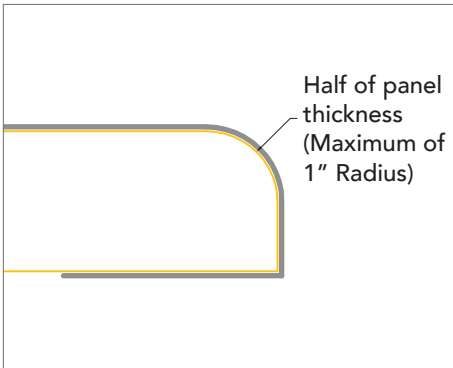
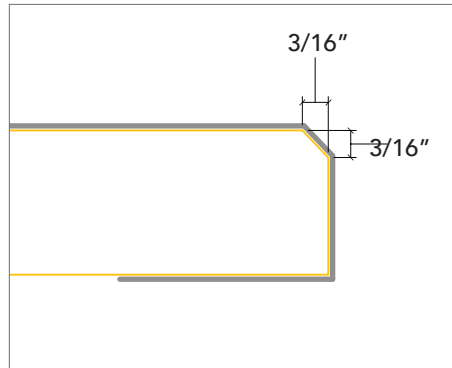


SA Panel Edge Options

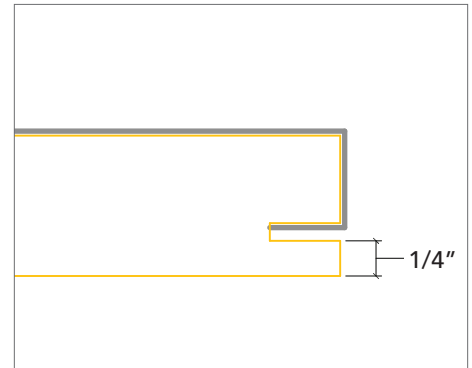
HR - Standard Radius



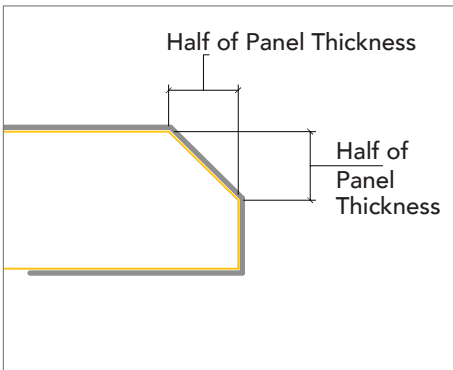
MB - Micro Bevel



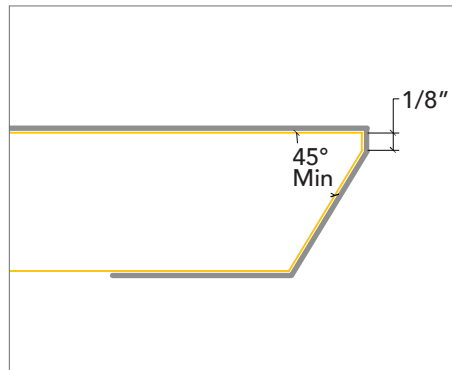
K - Kerf Micore



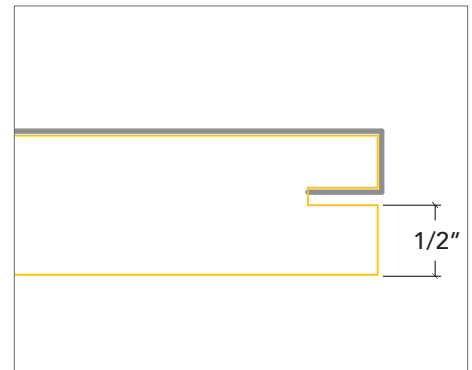
HB - Standard Bevel



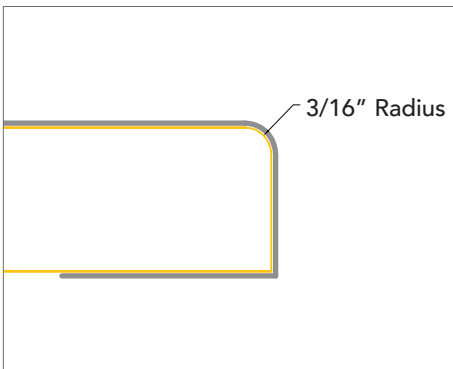
M - Miter



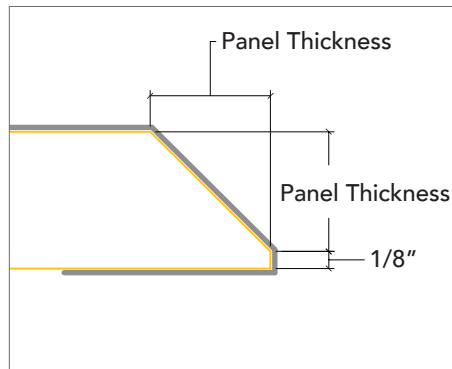
K - Kerf Fiberglass



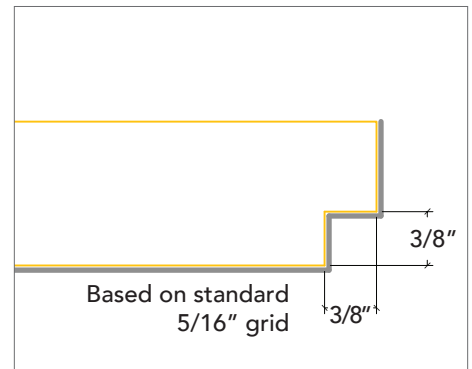
MR - Micro Radius



FB - Full Bevel



T - Tegular



- = Fabric Wrap
- = Fiberglass Core

An Acoustical Design and Installation Company